

# KANTILAL CHIMANLAL

AHMEDABAD  
SINCE-1913

## CAST STEEL Y TYPE STRAINER

FLANGED

### SPECIFICATIONS

'SANT' Cast Steel Y Type Strainer  
Perforated Stainless Steel Sheet Screen  
Suitable for Maximum Steam Working Pressure 350 Psig  
Maximum Working Temperature 400°C  
Flanged Ends to BS:10 Table J

### TESTING & CERTIFICATION

Test Pressure 700 Psig Hyd.

Test Certificate in Form IIIC as per IBR is furnished with every supply.

### MATERIALS

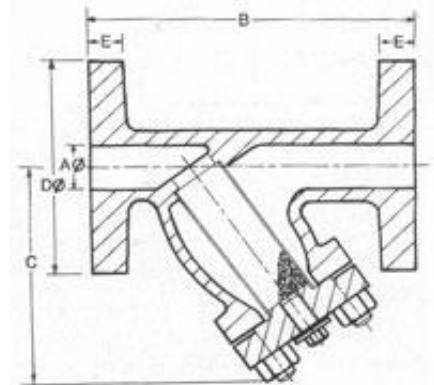
Components	Material	Material Specification
Body, Bonnet	Cast Carbon Steel	ASTM A 216 Gr.WCB
Drain Plug	Stainless Steel	AISI 410
Strainer	Stainless Steel	AISI 304
Gaskets	Compressed Asbestos Fibre	IS:2712 Gr.C
Fasteners	Mild Steel	IS:226

### DIMENSIONS

Nominal Size	B	C	D	E
1	181	118	4¾	¾
1½	260	148	5½	7/8
2	277	200	6½	1
2½	277	243	7¼	1
3	296	270	8	1¼
4	403	315	9	1¾
5	429	432	11	1½
6	476	434	12	1½
8	670	540	14½	1⅝
(inch)	(mm)	(mm)	(inch)	(inch)

SANT

CS 3



### Application

Water	Oil	Gas	Steam
●	●		●

KANTILAL CHIMANLAL  
662/45, Kapasia Bazaar  
Railwayपुरa, Ahmedabad-3800 02  
Gujarat (INDIA)

Ph.: +91 79 2217 0041 / 80  
Fax: +91 79 2212 1863  
Mobile: +91 98795 15172  
E-mail : kc@kantilalchimanlal.net

' For Guaranteed Trouble Free Service '