

KANTILAL CHIMANLAL

AHMEDABAD
SINCE-1913

BRONZE PRESSURE REDUCING VALVE

DIAPHRAGM TYPE

SPECIFICATIONS

'SANT' Bronze Pressure Reducing Valve
Diaphragm Type
Direct Spring Loaded
Screwed Female Ends (BSPT)
Suitable for Maximum Inlet Pressure / Temperature = 250 Psig / 225°C
Outlet Pressure Ranges Available (Psig) = 5/60, 20/80 & 40/125

TESTING & CERTIFICATION

Hydraulic Test Pressure 500 Psig Hyd.

Performance Test is carried out on live steam on all valves
Test Certificate in Form IIIC as per IBR is furnished with every supply.

MATERIALS

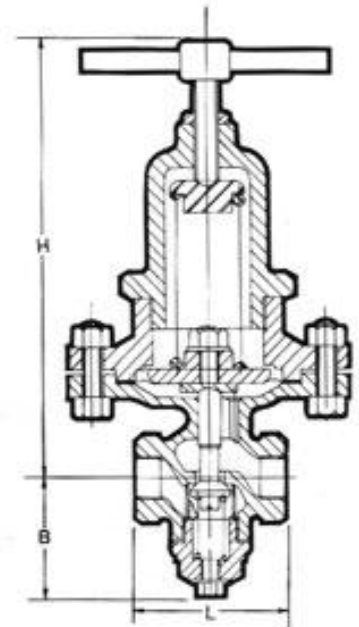
Components	Material	Material Specification
Body, Valve Disc, Spring Discs, Drain Cover & Plug	IBR Bronze Gr.B	IBR 282(a)(iv) Gr.B
Diaphragm Cover, Spring Chamber	Cast Iron	IBR 86 to 93 Gr.A
Diaphragm	Stainless Steel	AISI 304
Springs	Spring Steel	IBR 307 to 314
Gaskets	Compressed Asbestos Fibre	IS:2712 Gr.C
Pressure Adjusting Screw & Tommy Bar & Fastener	Mild Steel	IS:226

DIMENSIONS (In mm)

Nominal Size	L	H	B
15	76	250	57
20	111	282	70
25	114	336	80
32	133	420	96
40	137	422	96
50	170	495	110

SANT

BR 17



Application

Water	Oil	Gas	Steam
●		●	●

KANTILAL CHIMANLAL
662/45, Kapasia Bazaar
Railwaypura, Ahmedabad-3800 02
Gujarat (INDIA)

Ph.: +91 79 2217 0041 / 80
Fax: +91 79 2212 1863
Mobile: +91 98795 15172
E-mail : kc@kantilalchimanlal.net

' For Guaranteed Trouble Free Service '