

KANTILAL CHIMANLAL

AHMEDABAD
SINCE-1913

BRONZE SAFETY VALVE

SCREWED, ENCLOSED DISCHARGE, IBR CERTIFIED

SPECIFICATIONS

'SANT' Bronze Safety Valve
Spring Loaded
Enclosed Discharge
Screwed Male BSPT Inlet
Maximum Set Pressure 150 Psig (Steam)
Maximum Working Temperature 225°C

TESTING & CERTIFICATION

Body Test Pressure 300 Psig Hyd.
Seat Set at Live Steam Saturated at specified set pressure

Test Certificate in Form IIIC as per IBR furnished with every supply.

MATERIALS

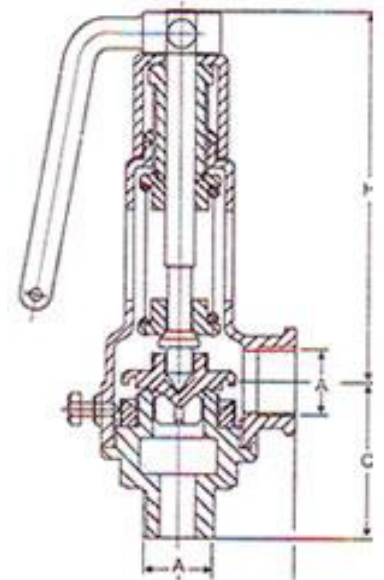
Components	Material	Material Specification
Body, Spring Chamber, Valve Disc, Blow down Ring, Spring Discs, Adjusting Screw, Check Nut & Cap	IBR Bronze Gr.B	IBR 282(a)(iv) Gr.B
Spindle & Screws	Forged Brass	IS:6912 Gr.FLB
Spring	Spring Steel	EN44 or Equivalent
Easing Lever	Cast Iron	IS:210 Gr.FG200
Pins	Brass	IS:320 Gr.HT1

DIMENSIONS

Nominal Size	B	H	
1/2"	1/2"	175	
3/4"	3/4"	205	
1"	1"	230	
1 1/2"	1 1/2"	260	
2"	2"	350	
	BSPT	(mm)	

SANT

BR 24



Application

Water	Oil	Gas	Steam
		•	•

KANTILAL CHIMANLAL
662/45, Kapasia Bazaar
Railwaypura, Ahmedabad-3800 02
Gujarat (INDIA)

Ph.: +91 79 2217 0041 / 80
Fax: +91 79 2212 1863
Mobile: +91 98795 15172
E-mail : kc@kantilalchimanlal.net

' For Guaranteed Trouble Free Service '